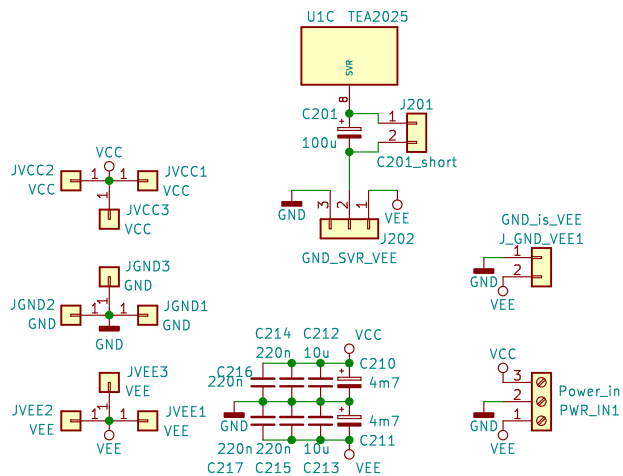


Note: this is way too complicated! It was too late when I noticed.
The TEA2025 only supports a single supply and no ext.resistors.



Sheet: /
File: amp_toys.sch

Title:

Size: A4
KiCad E.D.A. kicad 4.0.7

Date:

Rev:
Id: 1/1